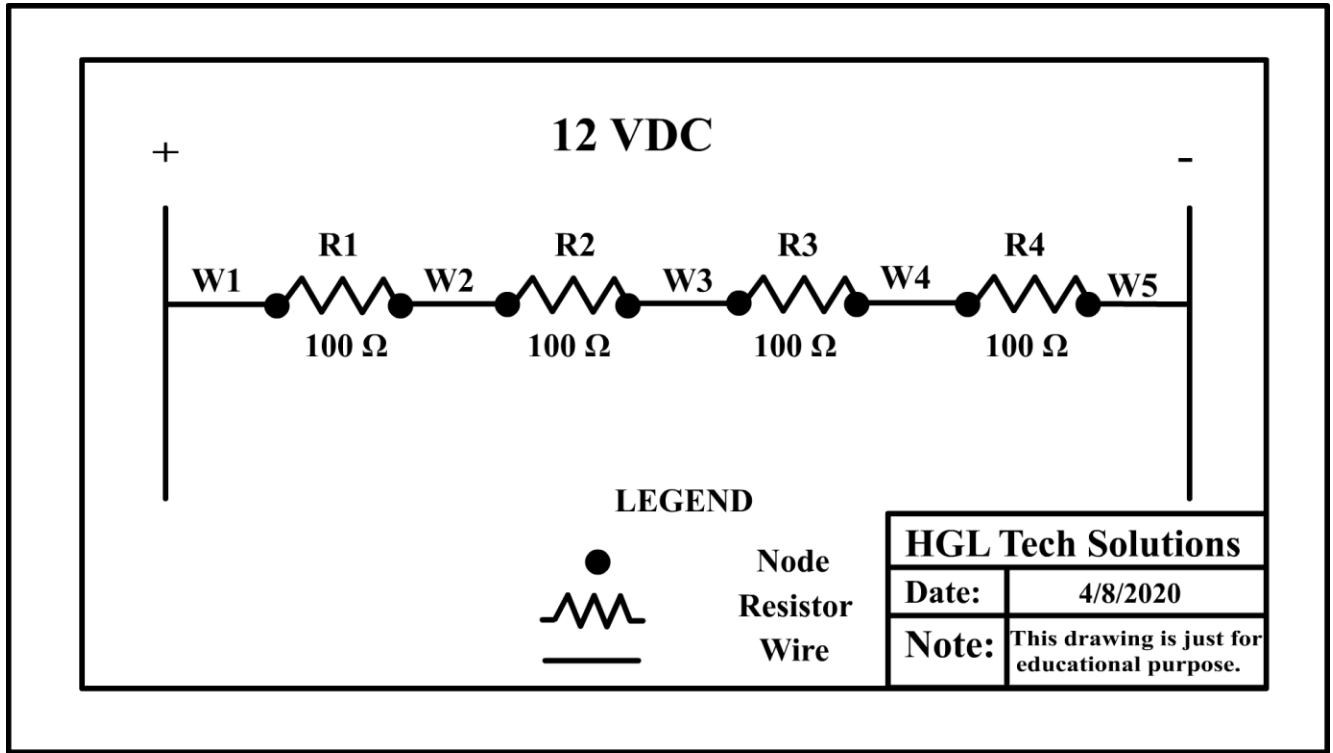
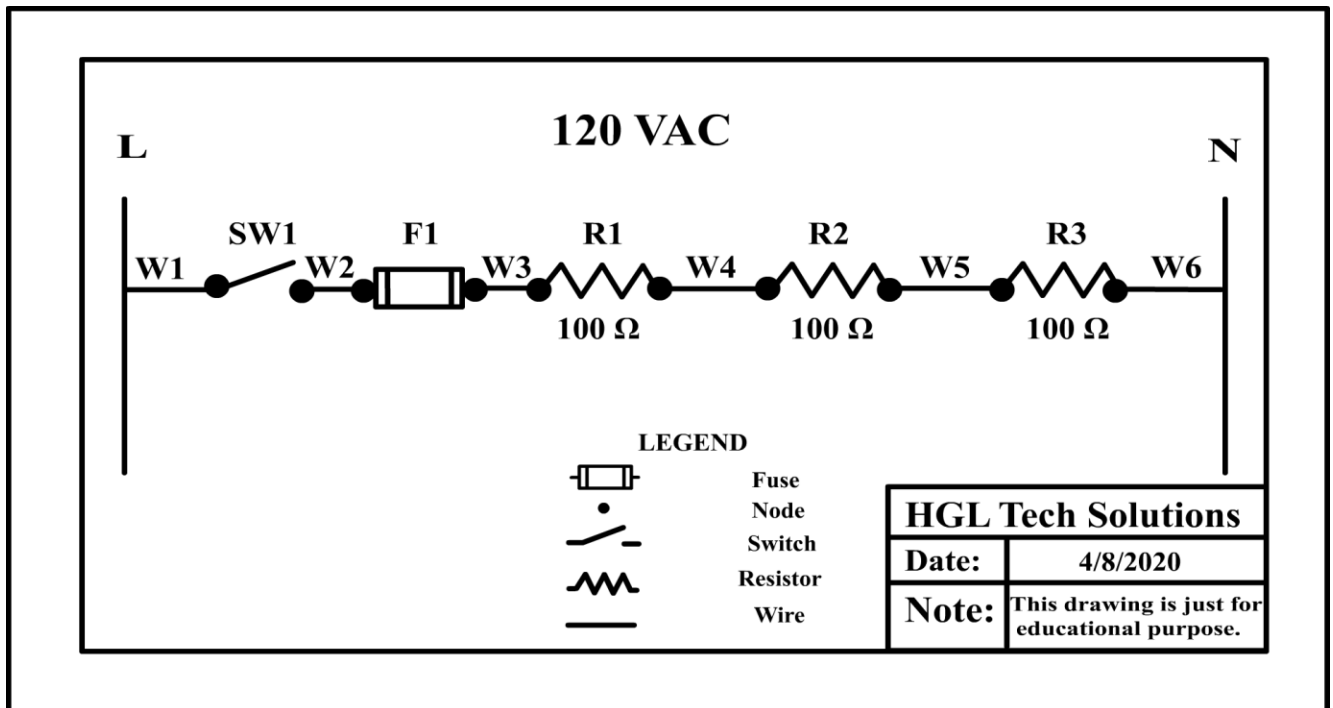


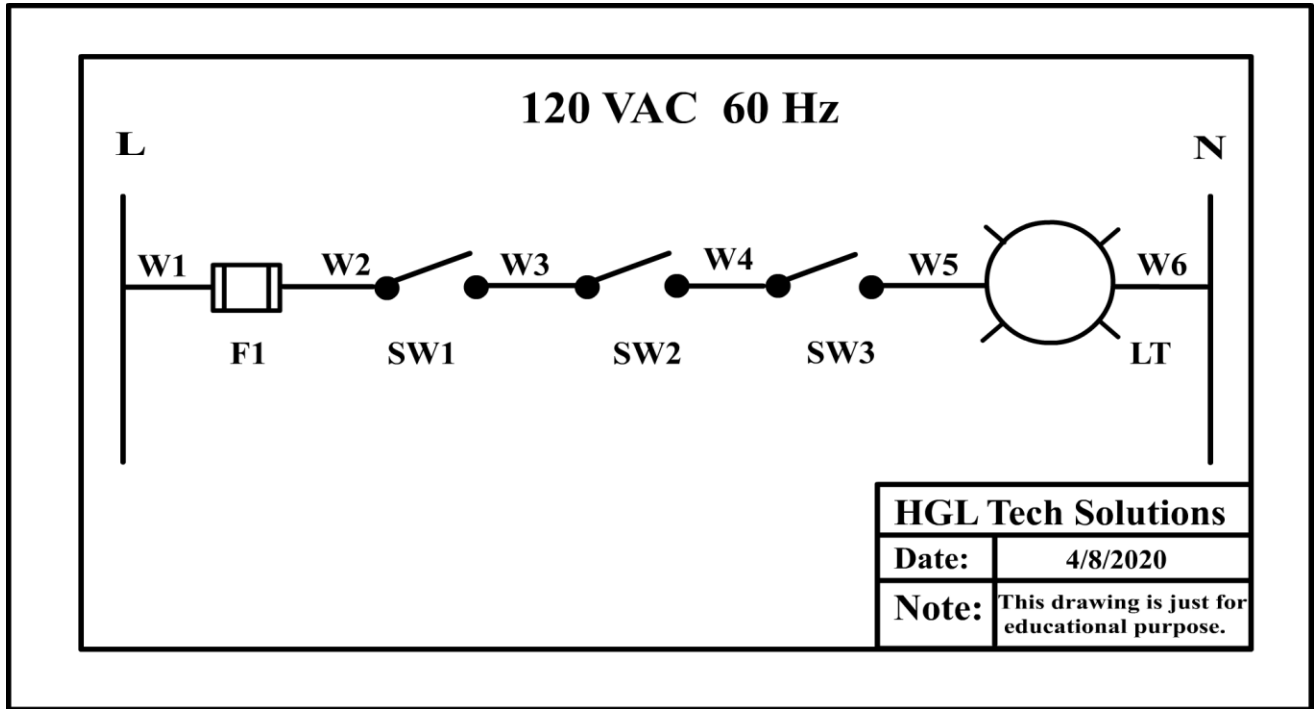
Series Circuit 1



Series Circuit 2



Series Circuit 3



Parallel Circuit 1

